



LAMP REPLACEMENT INSTRUCTIONS

TRL100A (INCANDESCENT) - 0.9 WATT 24VOLT



STEP #1: REMOVE LENS COVER FROM LIGHTING TRACK SYSTEM BY CAREFULLY PRYING LENS AT SEAM AND PEELING OFF.(NOT SHOWN)

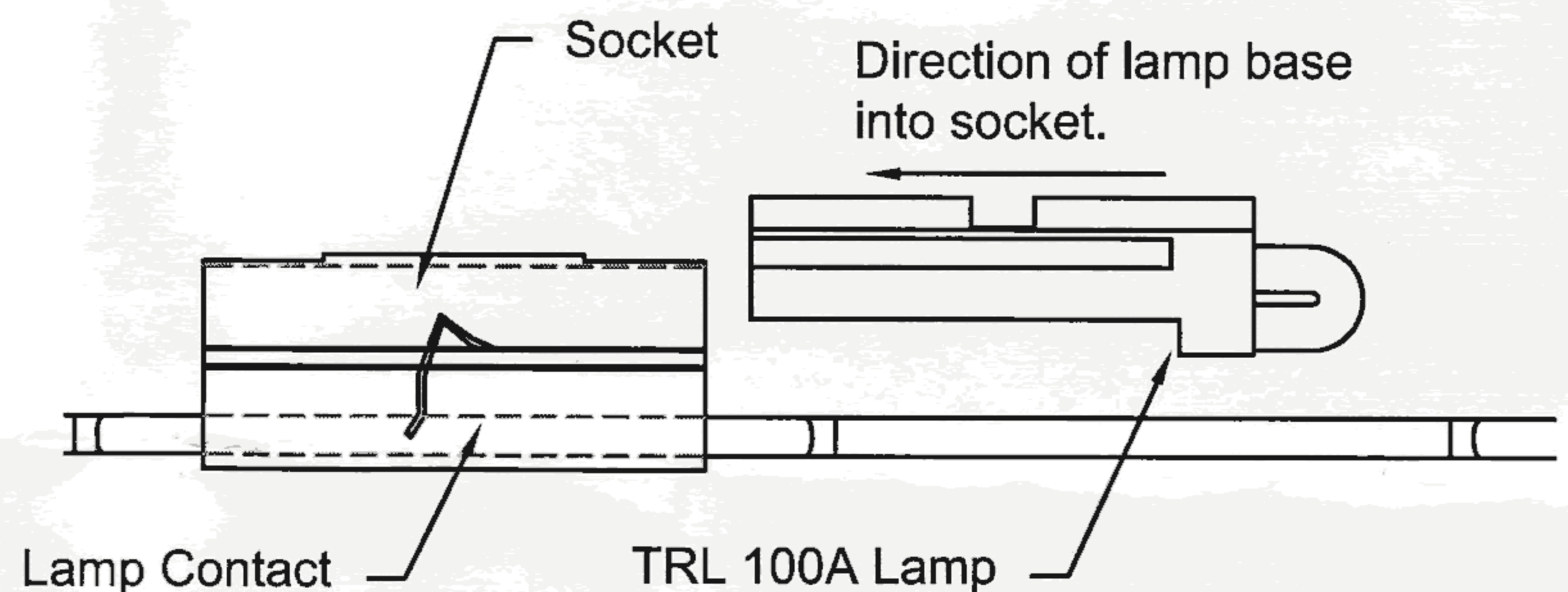
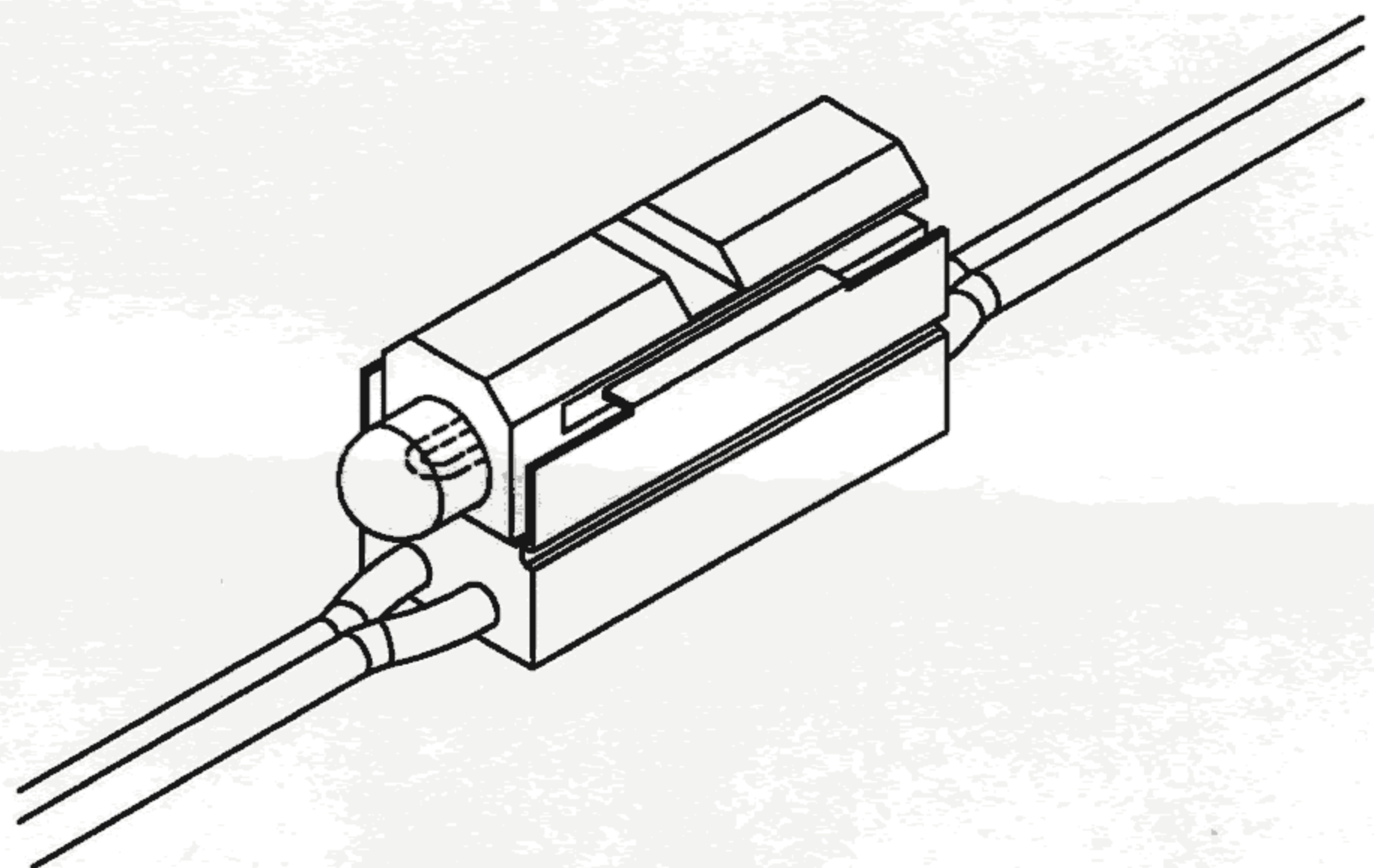
STEP #2: REMOVE OLD LAMP FROM LIGHT STRING BASE BY SLIDING AWAY FROM SOCKET, DO NOT ATTEMPT TO PULL LAMP UP.

STEP #3: TO INSERT NEW LAMP INTO BASE (SOCKET), SLIDE LAMP FROM END OF LAMP INTO FRONT OF BASE (SOCKET). (AS SHOWN)

STEP #4: REPLACE LENS COVER BY INSERTING AT END AND GRADUALLY SNAPPING INTO TRACK. (NOT SHOWN)

NOTE:

TRL100A REPLACES OLD STYLE TRL 100R LAMP



TARGETTI GROUP

This fixture must be installed by a qualified electrician. Tivoli LLC is not responsible if its fixtures are not installed according to local safety standards. Please leave a copy of these instructions for the person responsible for the maintenance of the installation.

ECN #

REV. A

Date: 6/16/03

Part Number: 7120009

Page 1 OF 1